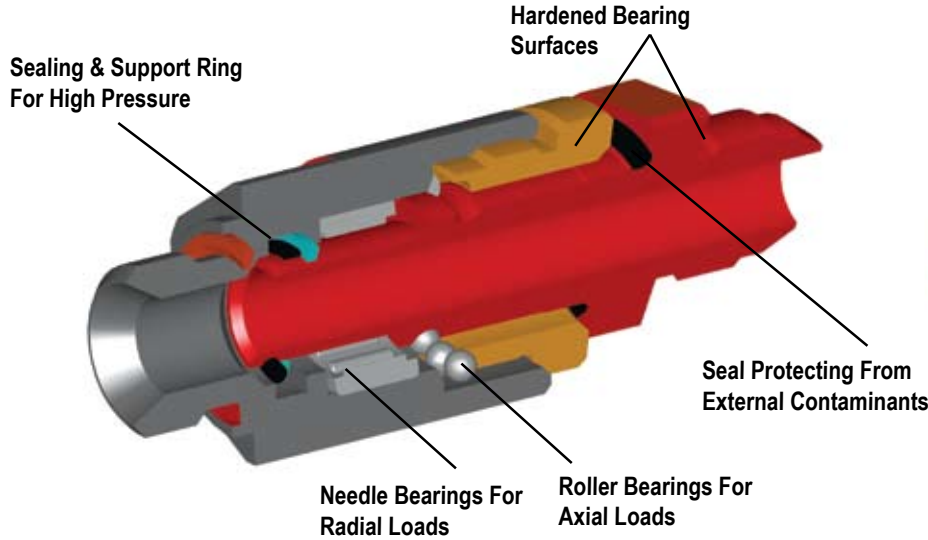


“A twist of as little as 10 degrees shortens the hose’s lifetime by up to 90 percent.” Indexator hose swivels take out that twist.

**Indexator
Hose Swivels**



Quality hose swivels, capable of withstanding high pressures in tough working conditions. These swivels have axial and radial load bearings for low torque resistance, even under high pressure.



Hose Swivel Size	Fitting Type	Lock Nut	Part Number
1/4" BSP	Male/Female	No	5001597
3/8" BSP	Male/Female	No	5001594
1/2" BSP	Male/Female	No	5001285
3/4" BSP	Male/Female	No	5001291
1" BSP	Male/Female	No	5001294
1 1/4" BSP	Male/Female	No	5001590
3/4" BSP x 3/4" BSP	Male/Male	No	5001275
1/2" BSP x 1/2" BSP	Male/Male	No	5001280
7/8" JIC x 1/2" BSP	Male/Female	No	5001670
1 1/16" JIC x 3/4" BSP	Male/Female	No	5001696
1 5/16" JIC x 1" BSP	Male/Female	No	5001697
1 5/8" JIC x 1 1/4" BSP	Male/Female	No	5001672
1 1/16" JIC x 1 1/16" JIC	Male/Female	No	5001298
1 5/16" JIC x 1 5/16" JIC	Male/Female	No	5001299
1 1/16" JIC x 3/4" BSP	Male/Male	No	5001628
7/8" JIC x 1/2" BSP	Male/Male	No	5001744
M20 x 1.5	Male/Male	Yes	5001725
M24 x 1.5	Male/Male	Yes	5001728
M30 x 2.0	Male/Male	Yes	5001731
M36 x 2.0	Male/Male	Yes	5001734

Seal kits available



O Ring Kits



Metric O Ring Kit

Kit contains over 400 rings in a selection of 30 metric sizes, stored in individual compartments and incorporating a convenient measuring gauge. Available in 90 and 70 shore hardness.

Kit contains over 400 rings in a selection of 30 imperial sizes, stored in individual compartments and incorporating a convenient measuring gauge. Available in 90 and 70 shore hardness.

Imperial O Ring Kit



Hose Skiver



A hand operated, vice-mounted hose skiving machine supplied with cutting blade and mandrels to skive hoses externally up to 2" dia. Suitable for use with fabric braid, wire braid and multi-spiral hoses.

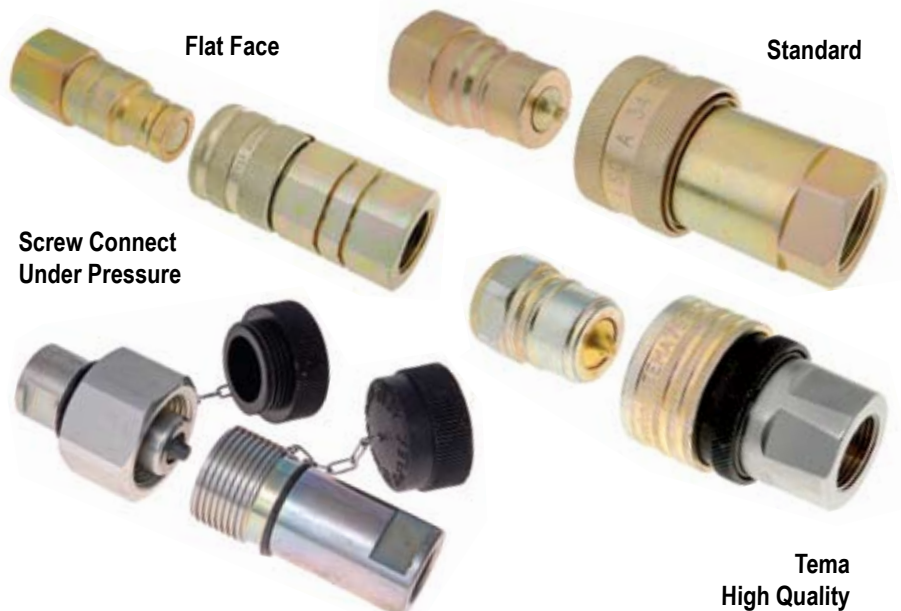


Hydraulic Fittings

Straights, Bulkheads, Blanking Caps & Plugs, 90 Degree Elbows, 45 Degree Elbows, 'T' Pieces... We hold massive stocks in a massive range of sizes!



Quick Release Couplings



Flat Face

Standard

Screw Connect
Under Pressure

Tema
High Quality