



Formed Hydraulic Steel Pipes

Steel Hydraulic Pipe In Diameter Sizes from 6mm to 42mm Formed To Suit Your Application

Flared Ends With JIC Fittings Or BSP Weld On Ends

Pipe Standard Stock Sizes

i.d.	o.d.
6mm	10mm
8mm	12mm
10mm	16mm
14mm	20mm
19mm	25mm
24mm	30mm
29mm	35mm
32mm	38mm
36mm	42mm

Manufactured To Order



Clark
Hydraulic
Steel Pipes

JIC Flared Hydraulic Steel Pipes

Manufactured To Order


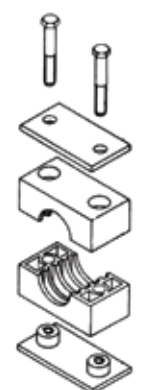


Weld On BSP
Male & Female Fittings
1/4" 3/8" 1/2" 3/4" 1" 1 1/4"


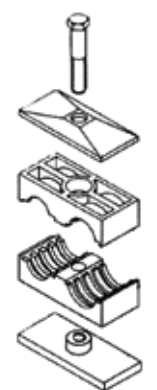


JIC Olives & Nuts For Flared Pipes


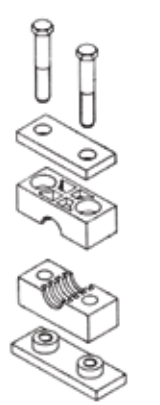
Standard Single Clamp

Part No	Inside Diameter	
LC10	10mm	
LC12	12mm	
LC14	14mm	
LC16	16mm	
LC18	18mm	
LC20	20mm	
LC22	22mm	
LC25	25mm	
LC30	30mm	
LC35	35mm	
LC38	38mm	
LC42	42mm	
LC45	45mm	

Standard Twin Clamp

Part No	Inside Diameter	
TLC14	14mm	
TLC16	16mm	
TLC20	20mm	
TLC22	22mm	
TLC25	25mm	
TLC30	30mm	
TLC38	38mm	
TLC42	42mm	

Heavy Duty Single Clamp

Part No	Inside Diameter	
HC12	12mm	
HC14	14mm	
HC16	16mm	
HC18	18mm	
HC20	20mm	
HC22	22mm	
HC25	25mm	
HC30	30mm	
HC32	32mm	
HC38	38mm	
HC40	40mm	
HC42	42mm	
HC48	48mm	
HC50	50mm	