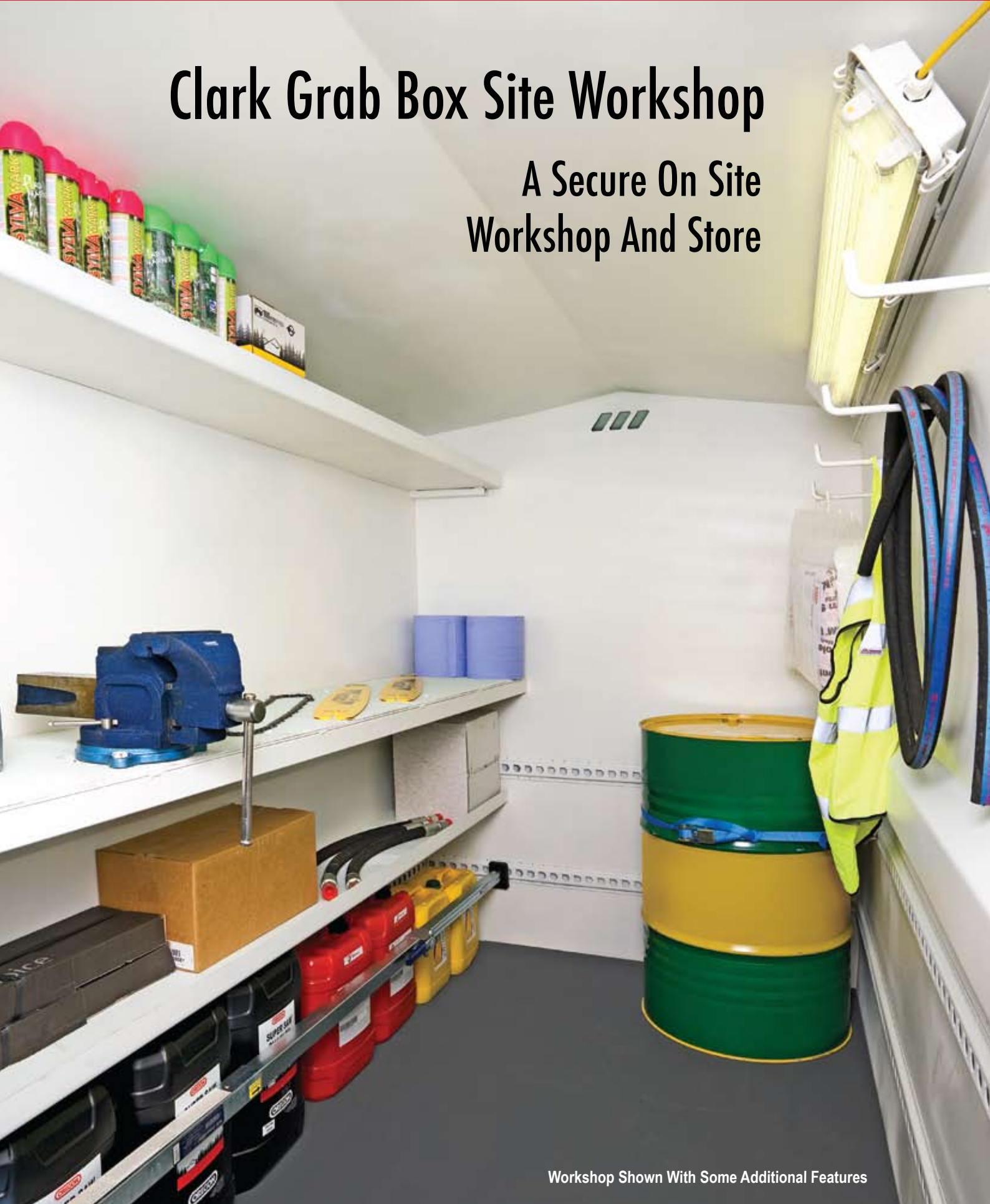


Clark Grab Box Site Workshop

A Secure On Site
Workshop And Store

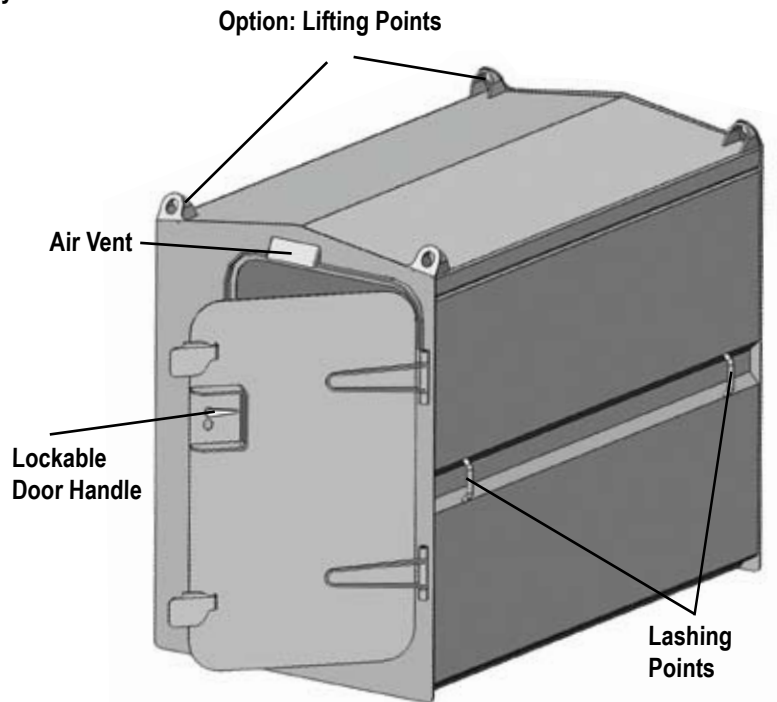
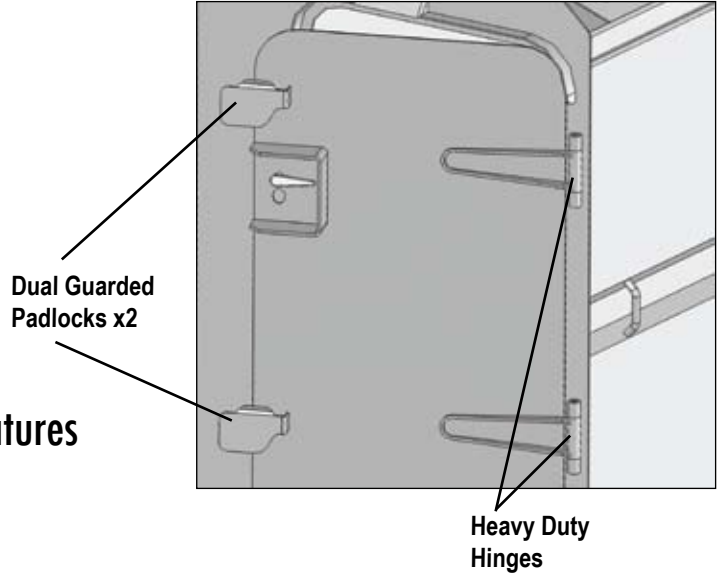
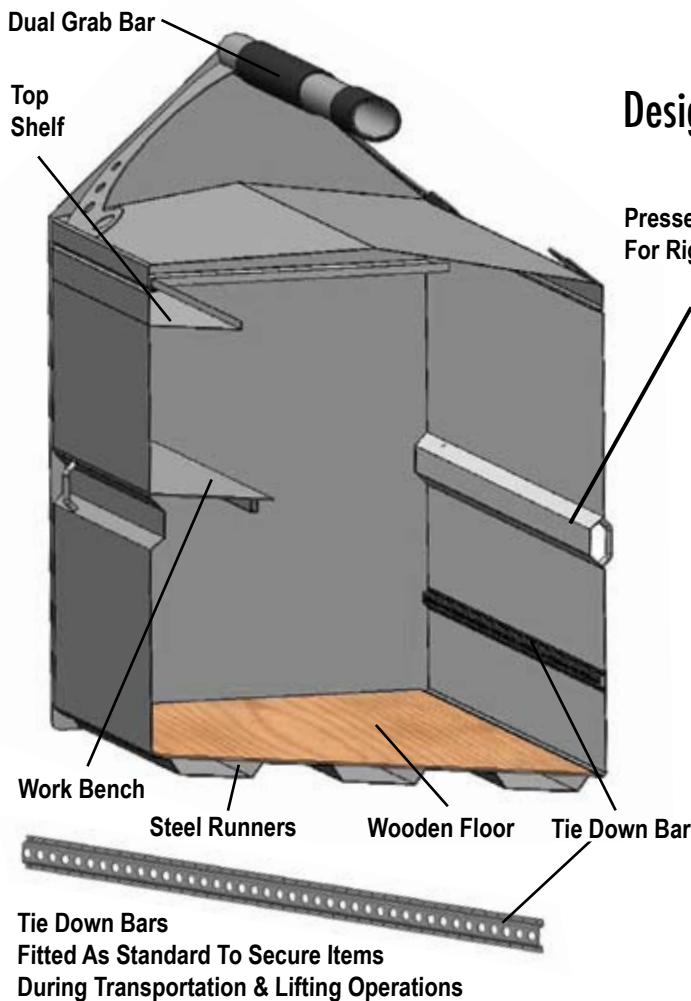


Workshop Shown With Some Additional Features



Available Fitted With Dual Grab Bar Or Lifting Eyes

Available in two sizes with various options, Grab Box Workshop offers a convenient, secure on site tool store and workshop facility. Capable of holding and transporting equipment ranging from small parts and tools to major items, the Clark Grab Box Workshop is an essential resource for on site work.



| Grab Box Workshop | Part No | Length mm | Width mm | Workshop Height mm | Weight Empty Kg |
|--|----------|-----------|----------|--------------------|-----------------|
| Grab Box Workshop with grab bar 2.0m | GBW-GB20 | 2090 | 1540 | 1980 | 886 |
| Grab Box Workshop with grab bar 2.5m | GBW-GB25 | 2590 | 1540 | 1980 | 980 |
| Grab Box Workshop with lifting eyes 2.0m | GBW-LE20 | 2090 | 1540 | 1980 | 675 |
| Grab Box Workshop with lifting eyes 2.5m | GBW-LE25 | 2590 | 1540 | 1980 | 735 |

Options

- Interior Strip Lighting
- Additional Tie Down Bars
- Additional Shelves
- Heavy Duty Vice
- Hanger Hooks
- Telescopic Cargo Restraining Bars

Please Specify Options At Time Of Ordering