



Standard AdBlue Tank



AdBlue Tank with Single Tool Cupboard

Designed specifically for bundled storage of AdBlue IBC containers, the Clark AdBlue Grab Tank is robustly manufactured with a full length plastic sleeved grab bar for lifting by timber grapple or harvester. The upper section of the tank can simply be lifted from the tank body for ease of installation of the IBC container. Upper lids permit easy access to the IBC. Tanks can be supplied as standard or with end tool cupboards. A grab lifting bar and two lifting straps are supplied with each tank for easy lifting of the IBC into the tank. Options include special AdBlue hand pumps and fittings.

Clark AdBlue Tank



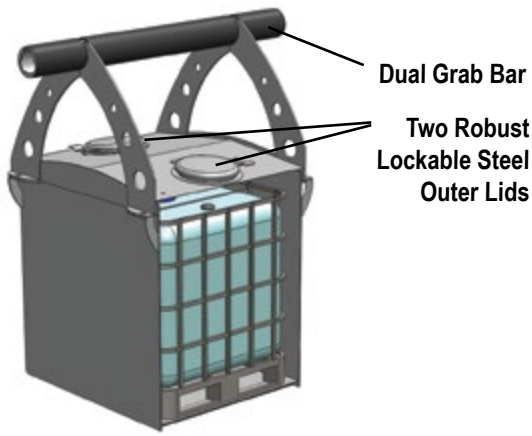
AdBlue Grab Tanks	Part No	Length mm	Width mm	Height To Top Of Bar mm	Tank Weight Empty Kg (without IBC)
Standard AdBlue Tank	ABT1000	1860	1380	2170	505
AdBlue Tank with Single Tool Cupboard	ABT1000/TC	2150	1380	2170	630
AdBlue Tank with Double Tool Cupboard	ABT1000/2TC	2400	1380	2170	755

Options

Complete AdBlue Pump, Hose and Gun Kit

AdBlue IBC Tank Valve

Please Specify Options At Time Of Ordering



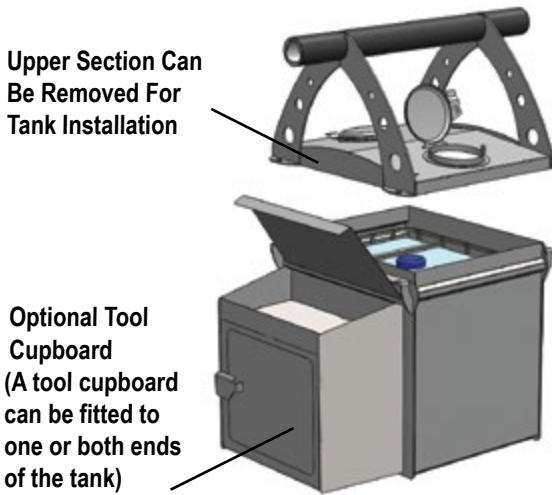
Dual Grab Bar
Two Robust Lockable Steel Outer Lids



Optional Lockable Tool Cupboard



Two Lockable Outer Tank Lids



Upper Section Can Be Removed For Tank Installation

Optional Tool Cupboard (A tool cupboard can be fitted to one or both ends of the tank)



Optional Electric Pump System



Optional Hand Pump System



AdBlue IBC Tank Valve
ADB-V



ADB-EPS
Complete AdBlue Electric Pump System

Complete 24v AdBlue Electric Pump System can be supplied fitted to tank or separately for independent use.

AdBlue Pumps & Fittings



ADB-HPK
Complete AdBlue Hand Pump Kit

Complete AdBlue Hand Pump Kit can be supplied fitted to tank or separately for independent use.