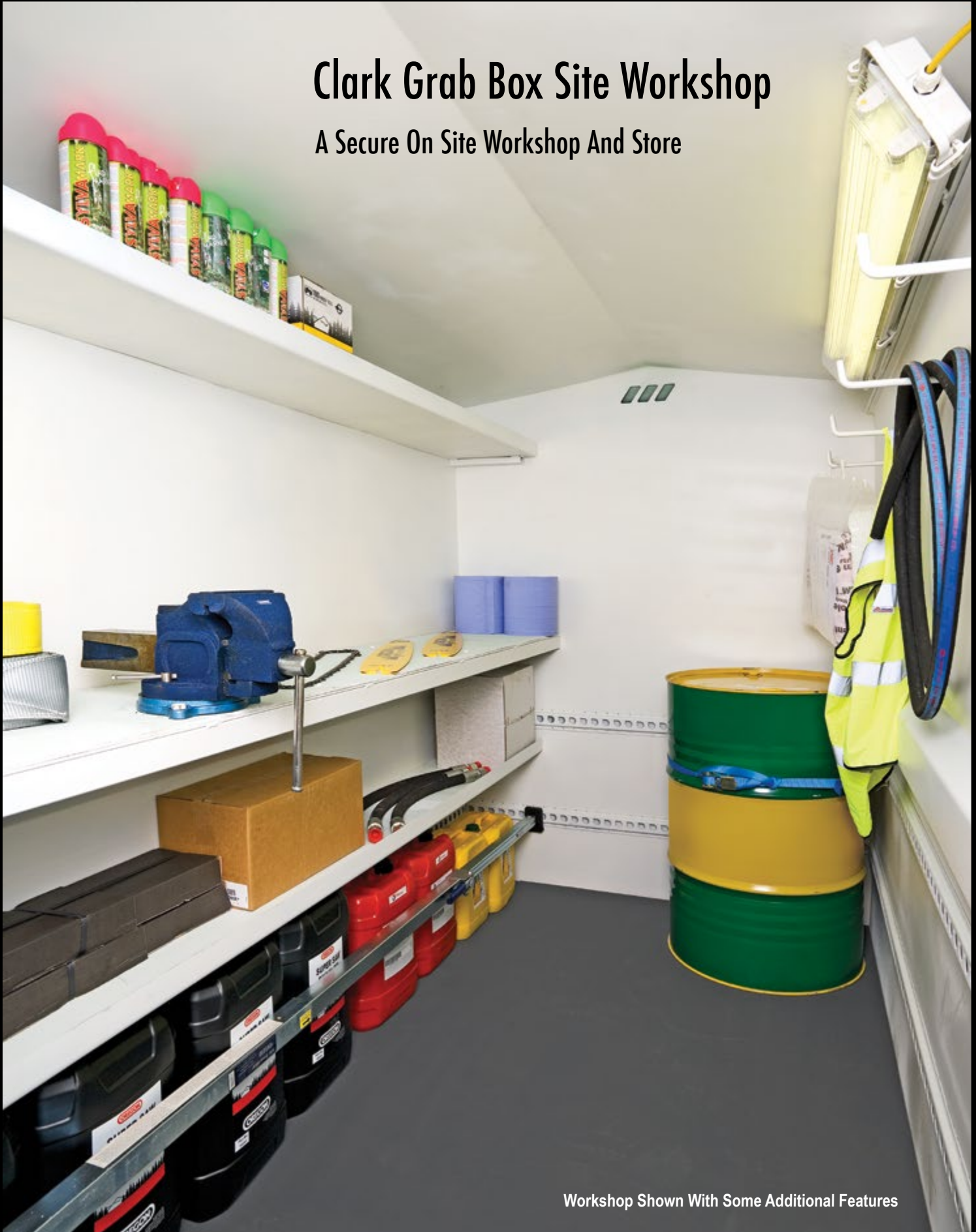


# Clark Grab Box Site Workshop

A Secure On Site Workshop And Store

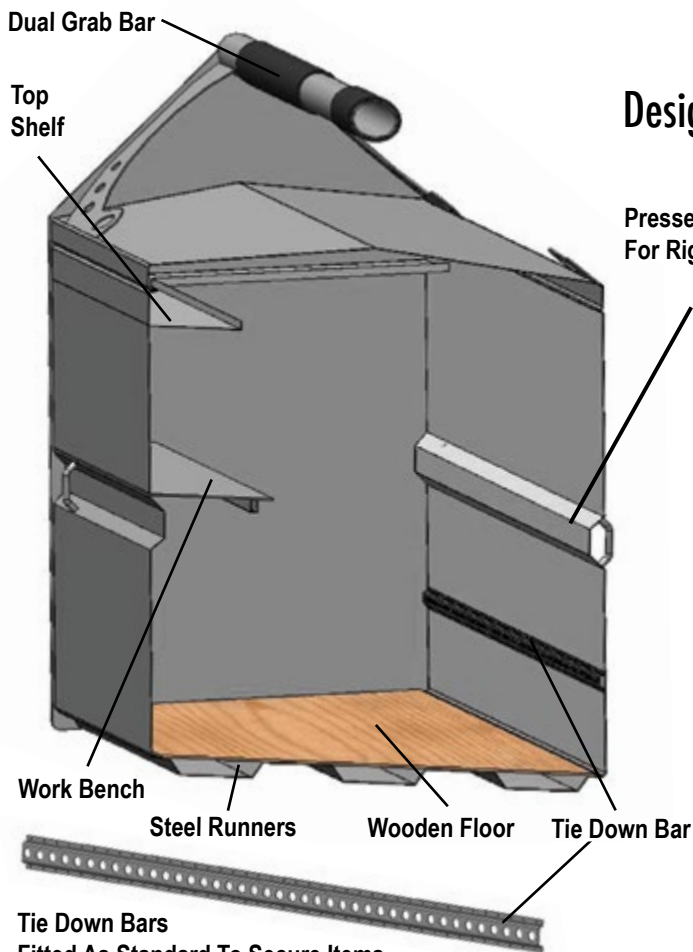


Workshop Shown With Some Additional Features



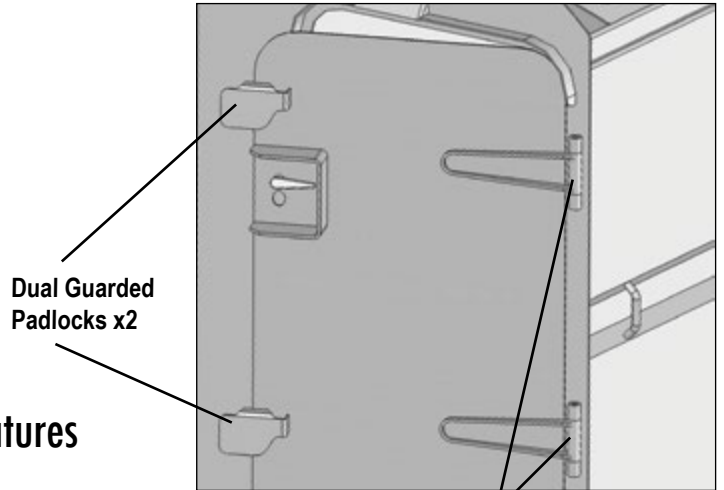
Available Fitted With Dual Grab Bar Or Lifting Eyes

Available in two sizes with various options, Grab Box Workshop offers a convenient, secure on site tool store and workshop facility. Capable of holding and transporting equipment ranging from small parts and tools to major items, the Clark Grab Box Workshop is an essential resource for on site work.

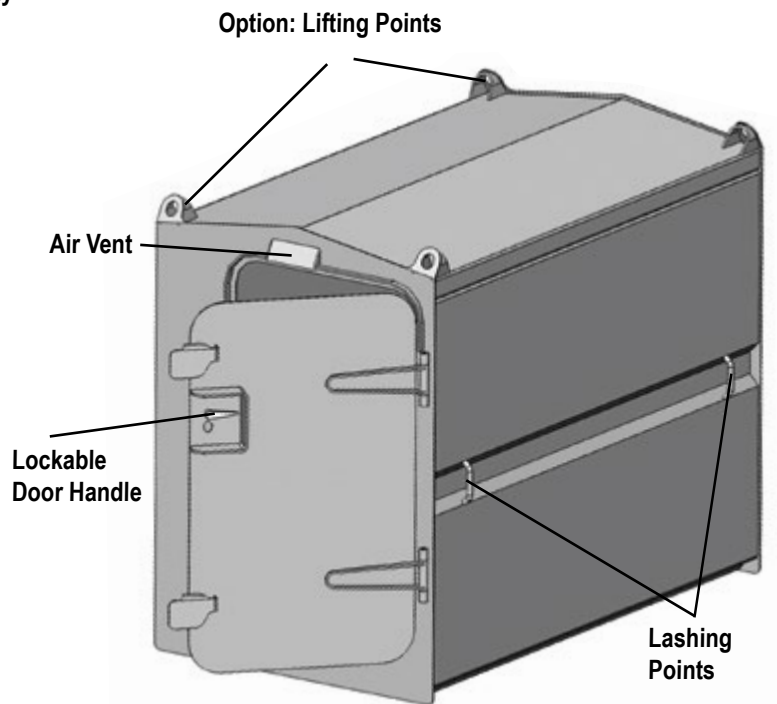


Tie Down Bars  
Fitted As Standard To Secure Items  
During Transportation & Lifting Operations

**Design Features**



Pressed Sides For Rigidity



Grab Box Workshop	Part No	Length mm	Width mm	Workshop Height mm	Weight Empty Kg
Grab Box Workshop with grab bar 2.0m	GBW-GB20	2090	1540	1980	886
Grab Box Workshop with grab bar 2.5m	GBW-GB25	2590	1540	1980	980
Grab Box Workshop with lifting eyes 2.0m	GBW-LE20	2090	1540	1980	675
Grab Box Workshop with lifting eyes 2.5m	GBW-LE25	2590	1540	1980	735

**Options**

- Interior Strip Lighting
- Additional Tie Down Bars
- Additional Shelves
- Heavy Duty Vice
- Hanger Hooks

Please Specify Options At Time Of Ordering