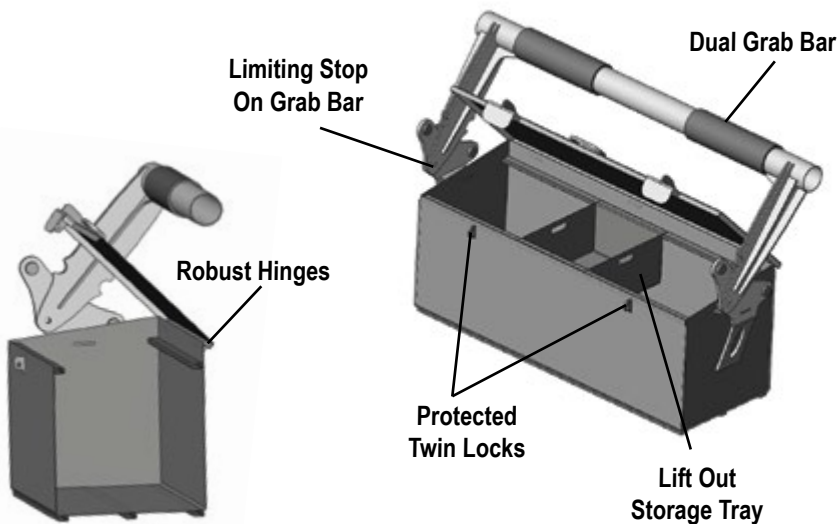
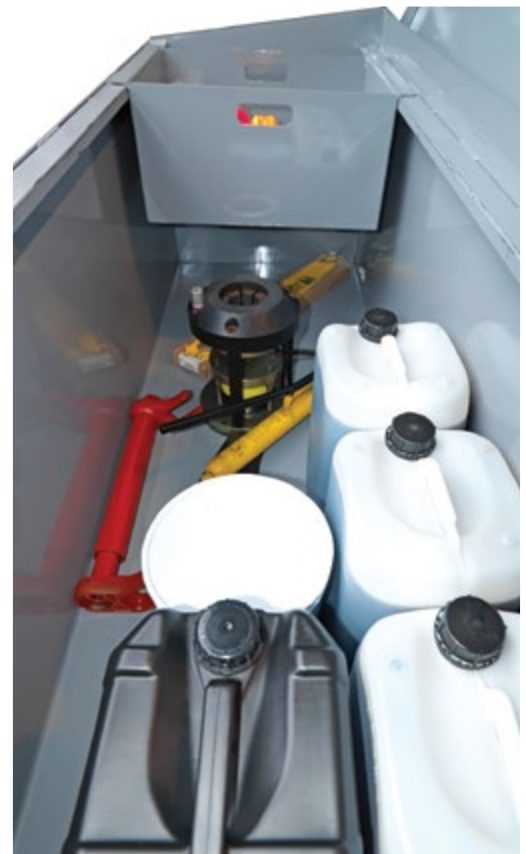


Clark Grab Box Tool Store  
Top Opening



For Secure Equipment Storage In The Forest

Tool Store - offers a compact solution for the secure storage of tools and equipment. The lockable lid opens fully to offer unrestricted access by means of our Grab Bar Pivot System - allowing easy lifting by both harvester heads and grapples.

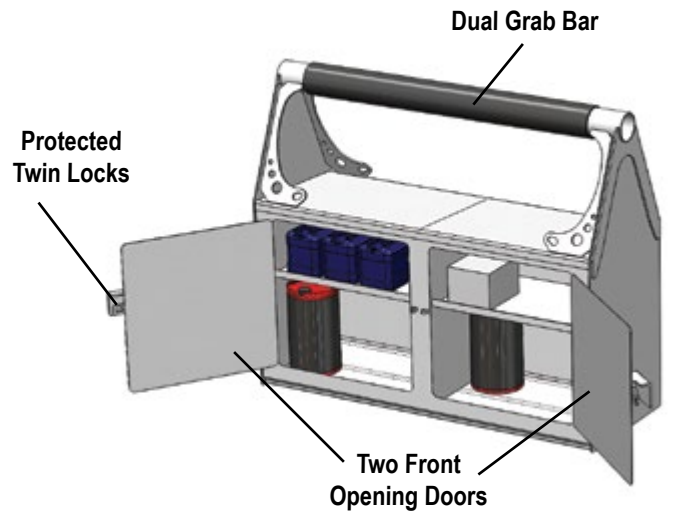


Drum Store Model	Length mm	Width mm	Box Height mm	Weight Empty Kg
TS1500	1500	870	875	280
TS2000	2000	870	875	360

**Options**  
Box Divider Plates  
Wooden Floor  
Paint Colour



Clark Grab Box Tool Store  
Front Opening



The new front opening tool store offers excellent storage for oils, hoses, tools etc. With two full width opening doors, access is easy, a small bund keeps any oil drips or spillages contained safely within the box. Two secured padlock hasps offer protected security and the plastic covered grab bar offers forwarder or harvester lifting capabilities.



Drum Store Model	Length mm	Width mm	Box Height mm	Weight Empty Kg
F-TS2000	2000	740	950	520