

MPB Rotator System

MPB system rotators use the same tried and tested drive motor units and base plate designs as GV/AV rotators, but employ the new Multi Plate Brake System (MPB). The MPB brake dampening system consists of a specially designed rotator head plate and link accommodating a series of large diameter brake discs and pads. This offers a massive brake dampening force to ensure effective swing dampening of even the heaviest of loads ensuring faster, more efficient machine operation, with less strain on crane booms and pivots.

G Type rotators are designed for use with grapples and attachments and employ one brake pack system.

H Type rotators are designed for harvester use and employ twin brake pack systems.

G121

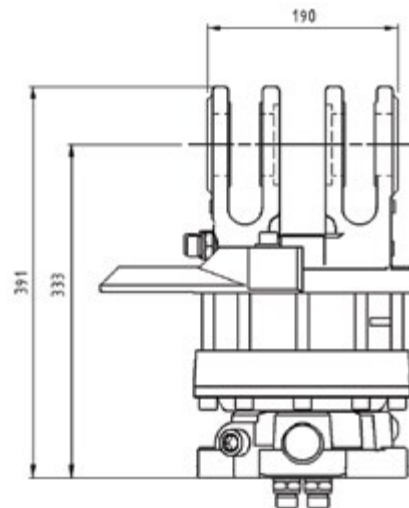


G121



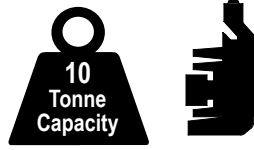
G121-2

Available in two upper hydraulic porting options: G121 with all four hydraulic ports mounted to the front of the rotator. G121-2 with two ports mounted to each side of the rotator.

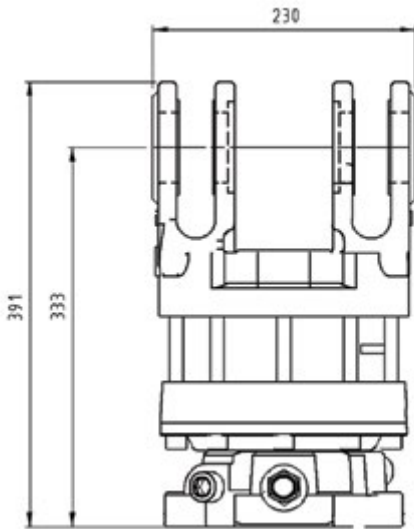


Technical Data	G121
Rotation	Continuous
Weight	57kg
Max Axial Load Static	100kN
Max Axial Load Dynamic	50kN
Torque at 25MPa (3625psi)	2200Nm
Recommended Oilflow	25 l/min

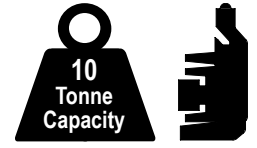
H122



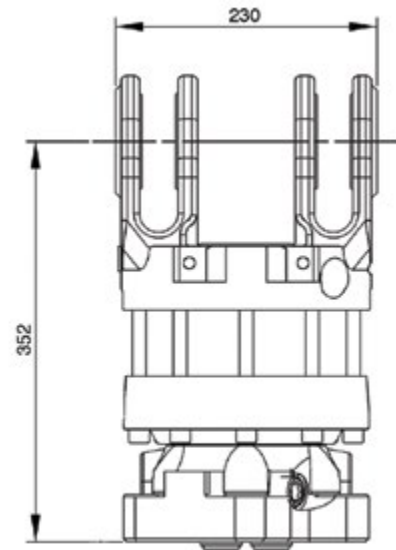
A heavy duty harvester rotator which utilises the twin brake pack MPB2 high performance swing dampening system. Designed for use on small to medium sized harvesting heads which employ the rotator oil feed via the rotator base plate.



H132



A heavy duty harvester rotator which employs the twin brake pack MPB2 high performance swing dampening system. Designed for use on medium sized harvesting heads, the H132 has the same drive motor as the H122 rotator but utilises the heavier base construction of the H172. For use with harvester heads which employ oil feed via the rotator base plate.



Also Available With Solid Centre Shaft H132A

MPB2
Links



Technical Data	H122
Rotation	Continuous
Weight	57kg
Max Axial Load Static	100kN
Max Axial Load Dynamic	50kN
Torque at 25MPa (3625psi)	2200Nm
Recommended Oilflow	25 l/min

MPB2
Links

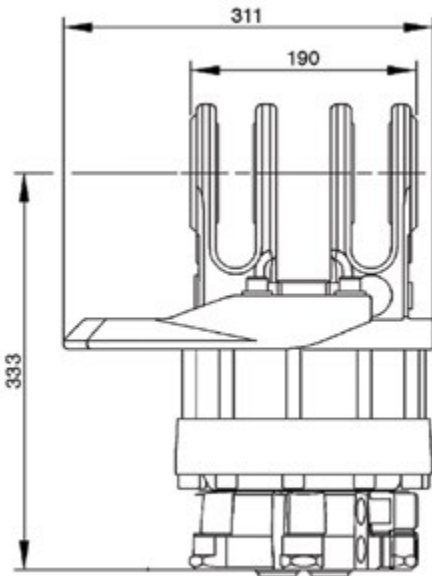


Technical Data	H132
Rotation	Continuous
Weight	63kg
Max Axial Load Static	100kN
Max Axial Load Dynamic	50kN
Torque at 25MPa (3625psi)	2200Nm
Recommended Oilflow	25 l/min

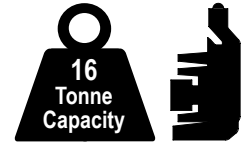
G141



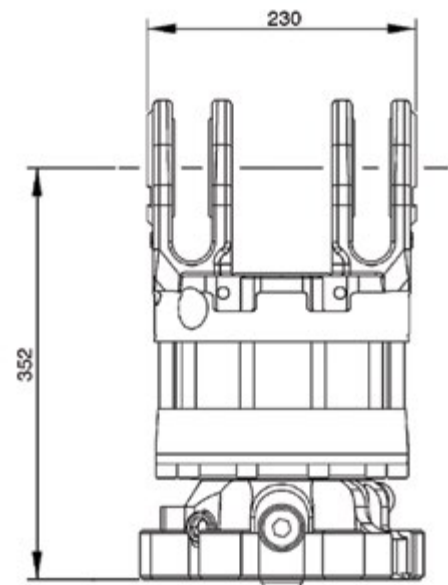
A heavy duty rotator for use with larger grapples and attachments which require the high performance swing dampening of the MPB system. The G141 incorporates a more powerful motor, with greater torque than the G121 model.



H172



The largest H series rotator. Utilises the twin brake pack MPB2 high performance dampening system. Designed for use on large harvesting heads. The H172 has a high torque drive motor and robust base design. For use with harvester heads which employ the rotator oil feed via the rotator base plate.



Also Available With Solid Centre Shaft H172A



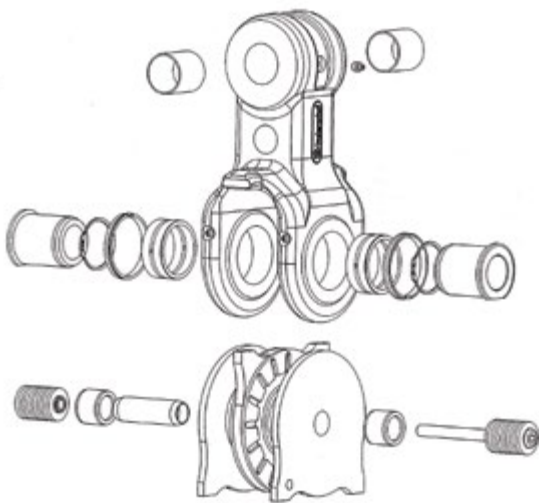
Technical Data	G141
Rotation	Continuous
Weight	57kg
Max Axial Load Static	100kN
Max Axial Load Dynamic	50kN
Torque at 25MPa (3625psi)	3300Nm
Recommended Oilflow	35 l/min



Technical Data	H172
Rotation	Continuous
Weight	63kg
Max Axial Load Static	160kN
Max Axial Load Dynamic	50kN
Torque at 25MPa (3625psi)	3300Nm
Recommended Oilflow	35 l/min



Offering the ultimate in crane link swing damping, the Multi Plate Brake (MPB) system employs a series of large diameter brake discs and pads to ensure an efficient damping system. For use with harvesting heads and large grapples, the MPB system offers a faster and more efficient operation with less strain on the crane boom.



MPB Crane Links



One Way MPB1
Swing Damper Link



Two Way MPB2-100s
Swing Damper



Two Way MPB2-2 Swing Damper Link
Fitted To Crane Tip & Rotator



Crane Tip MPB2



Two Way MPB2-2 Swing
Damper Link

MPB Hose Routing Links

Combining the hose protection of the 'Y' link with the MPB brake damper system to offer the ultimate rotator link. Hose routing is through the top centre of the link, protected by the upper hose saddle against wear and damage. Y links are designed for use on cranes with boom end pivot lugs 185mm width with 40mm dia. pivot pin.



MPB Hose Routing
Swing Damper Link

