

## Features

- Unloading grab, designed for use with today's high capacity loaders, for vehicle and railway wagon unloading.
- Available as quick hitch or direct mount to suit a range of machines.
- Manufactured from high strength Swedish alloy steels.
- Robust leg stops and large diameter pivot pins ensure a long working life.
- Optional crossline relief valve can be fitted to adjust the gripping pressures.
- Well protected hydraulic cylinders and hoses.



**Can Be Built To Any Width  
To Suit Your Application**

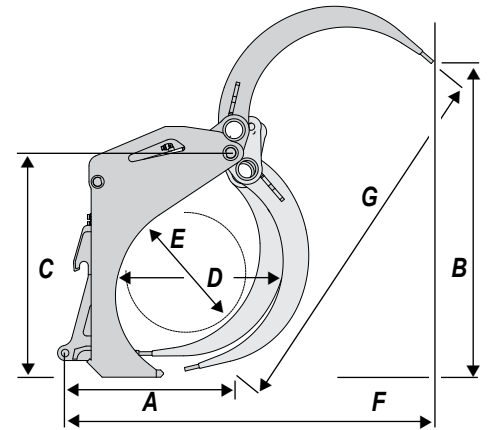
**Designed for Vehicle  
and Railway Wagon  
Unloading**



## Benefits

- Short tines are ideally suited for vehicle unloading, allowing the clamp to easily reach over the load to gather it in.
- Compact but strong rear frame keeps the centre of gravity close to the base machine, increasing stability.
- Wide grooved top forks minimise log roll / spillage on unloading.
- Open frame design provides driver with good visibility of the load.
- Can be manufactured to any width to suit your requirements.
- Computer designed working geometry ensures excellent log bundling ability, with no 'hollow pockets' where logs could slide from the middle of the load.

**powerhand**  
ATTACHMENTS



	LS-90	LS-110	LS-120	LS-150	LS-180
<b>Capacity</b>	1.3m <sup>2</sup>	1.5m <sup>2</sup>	1.9m <sup>2</sup>	2.3m <sup>2</sup>	2.8m <sup>2</sup>
<b>Weight (Standard Width)</b>	1340kg	1630kg	1750kg	2160kg	2350kg
<b>Tine Length (Quick Hitch Mount)</b>	A 1120mm	1170mm	1270mm	1370mm	1460mm
<b>Jaw Opening</b>	B 2100mm	2400mm	2500mm	2700mm	2930mm
<b>Pivot Point Height</b>	C 1575mm	1750mm	1960mm	2155mm	2370mm
<b>Internal Length - Tip to Tip</b>	D 1300mm	1400mm	1575mm	1700mm	1890mm
<b>Min Gripping Diameter</b>	E 900mm	950mm	1050mm	1140mm	1200mm
<b>Overall Open Length</b>	F 2560mm	2830mm	3245mm	3570mm	3710mm
<b>Span</b>	G 2490mm	2800mm	3100mm	3400mm	3700mm
<b>Standard Width</b>	1650mm	1650mm	1800mm	1800mm	1800mm



## Features

- Sorting grapple, designed for use with today's high capacity loaders.
- Available as quick hitch or direct mount to suit a range of machines.
- Manufactured from high strength Swedish alloy steels.
- Robust leg stops and large diameter pivot pins ensure a long working life.
- Optional crossline relief valve can be fitted to adjust the gripping pressures.
- Well protected hydraulic cylinders and hoses.
- Heat treated hardened fork tines and wear plates.



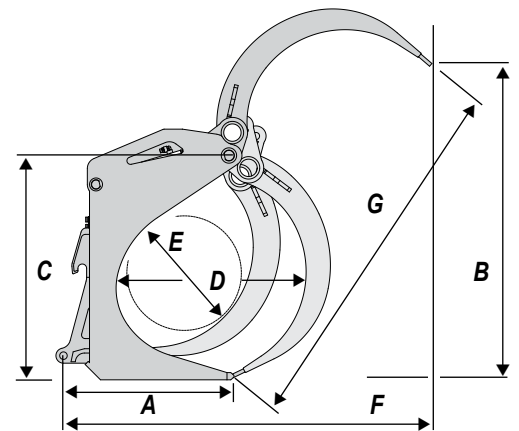
**powerhand**  
ATTACHMENTS

Can Be Built To Any Width To Suit Your Application



## Benefits

- Compact but strong rear frame keeps the centre of gravity close to the base machine, increasing stability.
- Wide grooved top forks minimise log roll / spillage on unloading.
- Open frame design provides driver with good visibility of the load.
- Can be manufactured to any width to suit your log bin width.
- Computer designed working geometry ensures excellent log bundling ability, with no 'hollow pockets' where logs could slide from the middle of the load.



	LG-50	LG-70	LG-90	LG-110	LG-120	LG-150	LG-180
Capacity	1.1m <sup>2</sup>	1.4m <sup>2</sup>	1.7m <sup>2</sup>	2.0m <sup>2</sup>	2.5m <sup>2</sup>	3.0m <sup>2</sup>	3.5m <sup>2</sup>
Weight (Standard Width)	980kg	1210kg	1420kg	1710kg	1850kg	2260kg	2440kg
Tine Length (Quick Hitch Mount)	A 1260mm	1475mm	1610mm	1780mm	1960mm	2130mm	2350mm
Jaw Opening	B 1520mm	1600mm	2100mm	2400mm	2500mm	2700mm	2930mm
Pivot Point Height	C 1225mm	1375mm	1575mm	1750mm	1960mm	2155mm	2370mm
Internal Length - Tip to Tip	D 1050mm	1380mm	1590mm	1750mm	1950mm	2150mm	2400mm
Min Gripping Diameter	E 600mm	800mm	900mm	950mm	1050mm	1140mm	1200mm
Overall Open Length	F 2130mm	2385mm	2560mm	2830mm	3245mm	3570mm	3710mm
Span	G 1600mm	1800mm	2300mm	2575mm	2770mm	3020mm	3390mm
Standard Width	1520mm	1650mm	1650mm	1650mm	1800mm	1800mm	1800mm

Standard Sizes Shown - Up To 8.0m<sup>2</sup> Capacity Available to Special Order

### Features

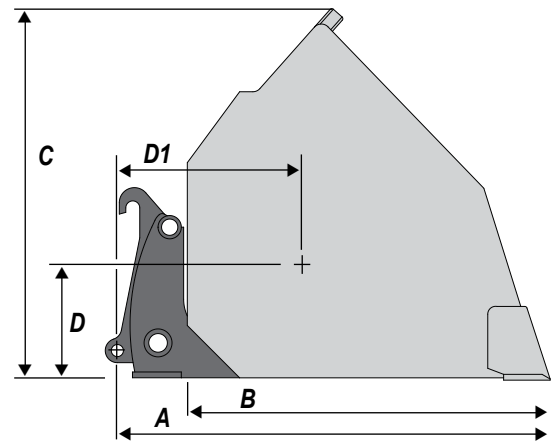
- Available in standard sizes or built to customer specifications.
- Available with quick hitch or direct mount.
- Manufactured entirely from high strength Swedish alloy steels.
- Available with one or three piece bolted cutting edges.
- Single ram model for fast operation.
- Ideal for smaller wheeled loaders.
- Compact dimensions, compatible with loaders with 'Z' linkage tipping mechanisms.



### Benefits

- Compact undercarriage keeps the centre of gravity close to the base, increasing machine stability.
- Mesh top allows the driver to see when bucket is fully loaded
- Reversible cutting edge.
- Single ram allows a lightweight design.
- Hi-Tip design allows for operations WITHOUT a loading ramp.

### Dimensions



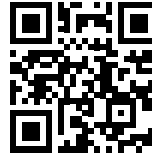
		HS-25	HS-30	HS-35	HS-40	HS-45
Capacity (SAE Heaped)		2.5m <sup>3</sup>	3.0m <sup>3</sup>	3.5m <sup>3</sup>	4.0m <sup>3</sup>	4.5m <sup>3</sup>
Weight (Standard)		1185kg	1350kg	1450kg	1590kg	1680kg
Overall Length	A	1640mm	1640mm	1700mm	1735mm	1750mm
Bucket Length	B	1330mm	1330mm	1400mm	1420mm	1570mm
Height	C	1380mm	1430mm	1480mm	1500mm	1500mm
Centre Of Gravity (Heaped)	D	510mm	530mm	560mm	560mm	560mm
	D1	820mm	840mm	880mm	900mm	940mm
Width (Standard)		2100mm	2200mm	2300mm	2400mm	2500mm

Maximum load per m<sup>3</sup> is 1000kg



## Features

- Available in standard sizes or built to customer specifications.
- Available with quick hitch or direct mount.
- Manufactured entirely from high strength Swedish alloy steels.
- Available with one or three piece bolted cutting edges.
- Twin hydraulic cylinders.
- Easy access greasing points.



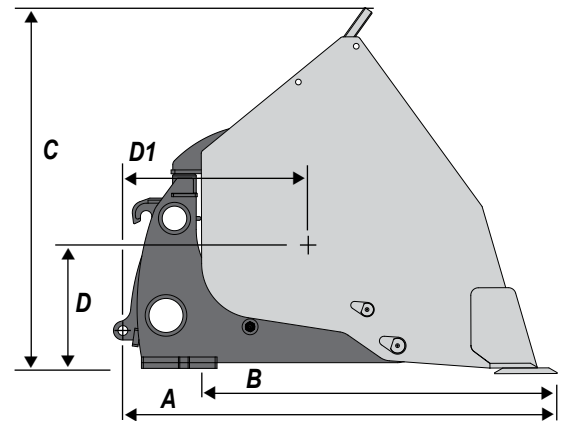
SCAN FOR VIDEO



## Benefits

**powerhand**  
ATTACHMENTS

- Compact undercarriage keeps the centre of gravity of the load close to the base, increasing machine stability.
- Mesh top allows the driver to see when bucket is fully loaded.
- Reversible cutting edge.
- Bucket design allows clearance for machines with 'Z' linkage tipping mechanisms.
- Hi-Tip design allows for operations WITHOUT a loading ramp.



## Dimensions

	HD-50	HD-55	HD-60	HD-65	HD-70	HD-80	HD-90	HD-100
Capacity (SAE Heaped)	5.0m <sup>3</sup>	5.5m <sup>3</sup>	6.0m <sup>3</sup>	6.5m <sup>3</sup>	7.0m <sup>3</sup>	8.0m <sup>3</sup>	9.0m <sup>3</sup>	10.0m <sup>3</sup>
Weight (Standard)	2195kg	2340kg	2480kg	2590kg	2700kg	2930kg	3275kg	3990kg
Overall Length	A 1910mm	2050mm	2190mm	2250mm	2250mm	2300mm	2300mm	2390mm
Bucket Length	B 1500mm	1620mm	1800mm	1910mm	1910mm	1960mm	1960mm	2000mm
Height	C 1720mm	1750mm	1900mm	1900mm	1900mm	2000mm	2000mm	2060mm
Centre Of Gravity (Heaped)	D 310mm	320mm	355mm	370mm	405mm	440mm	440mm	470mm
	D1 990mm	1020mm	1110mm	1140mm	1150mm	1170mm	1170mm	1220mm
Width (Standard)	2700mm	2700mm	2800mm	2800mm	2900mm	3000mm	3300mm	3300mm

Maximum load per m<sup>3</sup> is 1000kg



Protected Hydraulic Hoses Are Routed Internally Through Boom



Quick Coupler Options Are Available To Suit Most Machine Makes & Types



## Powerhand Forklift Boom

The Powerhand Forklift boom is manufactured to order in lengths to suit your application and can be fitted with a range of grapple and rotator options.

**powerhand**<sup>®</sup>  
ATTACHMENTS



## Excavator Nose Cones

Manufactured To Order



We can manufacture nose cones to fit most excavator booms in length and boom fittings to suit customer requirements.